

## ZC1200 ODOUR FILTER INSTALLATION INSTRUCTIONS

### **Safety Advice:**

#### **Keep out of reach of children**

Ensure adequate ventilation when removing filter from pack and installing.

Do not puncture the container or otherwise interfere with the product as this will reduce its effectiveness or produce harmful vapours.

**First Aid Information:** Poison Information Centre in each State capital city can provide additional assistance for **Scheduled Poisons: Phone (Australia 13 1126)**

**Ingestion:** Rinse mouth with water. Do **NOT** induce vomiting. Seek medical assistance.

**Eyes & Skin:** Be careful to avoid contact with contents, or fumes from the filter as they may cause irritation to eyes, skin or breathing passages. If contact occurs wash affected area with plenty of water.

**Inhalation:** Remove victim from exposure. Remove contaminated clothing and loosen remaining clothing. Allow patient to assume most comfortable position and keep warm. Keep at rest until fully recovered.

**Seek medical advice if symptoms persist.**

---

### **OVERVIEW:** - Designed to treat wastewater odour emissions.

This filter is a three stage process:

1. Emissions enter the inlet compartment at the bottom via a 150mm valve inlet pipe.
2. Initial treatment occurs in the bottom media compartment
3. The second stage is the filtering through an impregnated activated carbon media
4. The third stage than flows through the 5 x 375 media cartridges this completes the filtering process.

The unit is fabricated from stainless steel and is powder coated "mist green" on the outside.

The interior is sprayed with Rhino-chem 2170 for corrosion protection. SDS available on request

### **INSTALLATION:**

1. Confirm position and site layout with local authority.
2. The unit needs to be placed on a solid, level base of minimum size 1600 x 1500mm
3. Emission pipe to be joined (ensure airtight seal) to the 150mm inlet at the bottom of the cabinet, ensuring pipework has a slight fall back to pump station to avoid condensation build up.
4. Fit Anti-rodent cap (supplied) to outlet of filter
5. Remove the lid of the filter, add Media Mix (12 x 15kg supplied) into the bottom compartment and level off.
6. Place supplied mesh over the McBerns media.
7. Add Activated Carbon (12 x 25kg) supplied and level off.
8. Ensure there is adequate ventilation.
9. Wipe the top shelf with a damp cloth where the media cartridges are seated to remove any dust or grit which will prevent achieving a good seal around the base of the media cartridges.
10. Apply a bead of hydroseal (included with cartridge) to the rubber seal (top shelf)
11. Remove the cartridge from the protective plastic bag
12. Install cartridge "**THIS WAY UP**" into Filter Housing, as per instructions on cartridge, rotate cartridge slightly to seat base to the rubber ring.
13. Fit and secure top cover using bolts, nuts and washers supplied
14. Install drain assembly and check these weekly initially until filter has stabilised
15. Run Filter and check for leaks with a soapy water solution

Approved by: *Noel Southern*

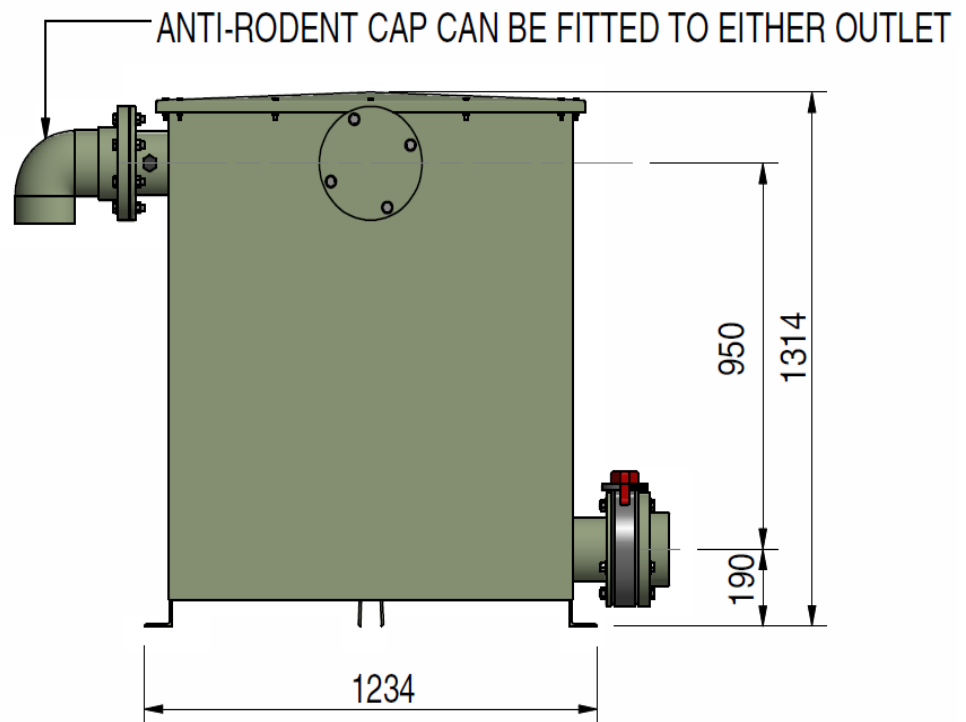
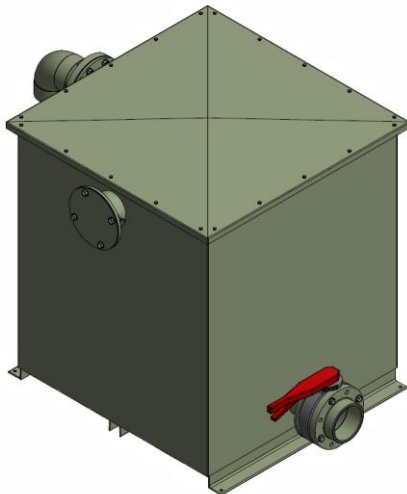
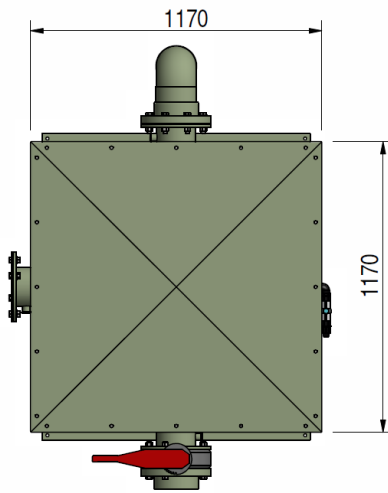
Version: *4.1*

Status: *Current*

Identification Number: *FIN\_029*

Version Date: *03/03/2017*

Responsibility: *Cathi Southern*



**NOTE:** CONFIRM POSITION OF INLET AND OUTLET FLANGES AS THESE CAN BE POSITIONED TO SUIT SITE REQUIREMENTS

## Maintenance:

The McBerns ZC1200 Odour Filter requires very little maintenance.

When filter ceases to be effective replacement media cartridges are available.

### WE SUGGEST:

1. It is not necessary to remove the top cover of the filter when performing basic maintenance
2. Appropriate PPE must be worn
3. Wipe down the outside of the unit every 3 months with a mild wash and wax solution this will maintain the paint work of the filter.
4. A check needs to be made of all the seals, ensuring that there is no splitting or cracking, if any deterioration occurs notify Person In Charge.
5. Using an odour measuring device check for Sulfide readings every 3 month, if levels are high contact Person In Charge.
6. Ensure all Fittings & Fastenings are secure
7. After initial installation open all drain valves on a weekly basis to determine the level of condensation, this may not require continuous weekly inspections, as this is dependent on site specifics. We recommend that once the odour unit is established 3 monthly checks should be carried out on the drain valves.
8. **When filter ceases to be effective replacement media cartridges are available.**

Approved by: Noel Southern

Version: 4.1

Status: Current

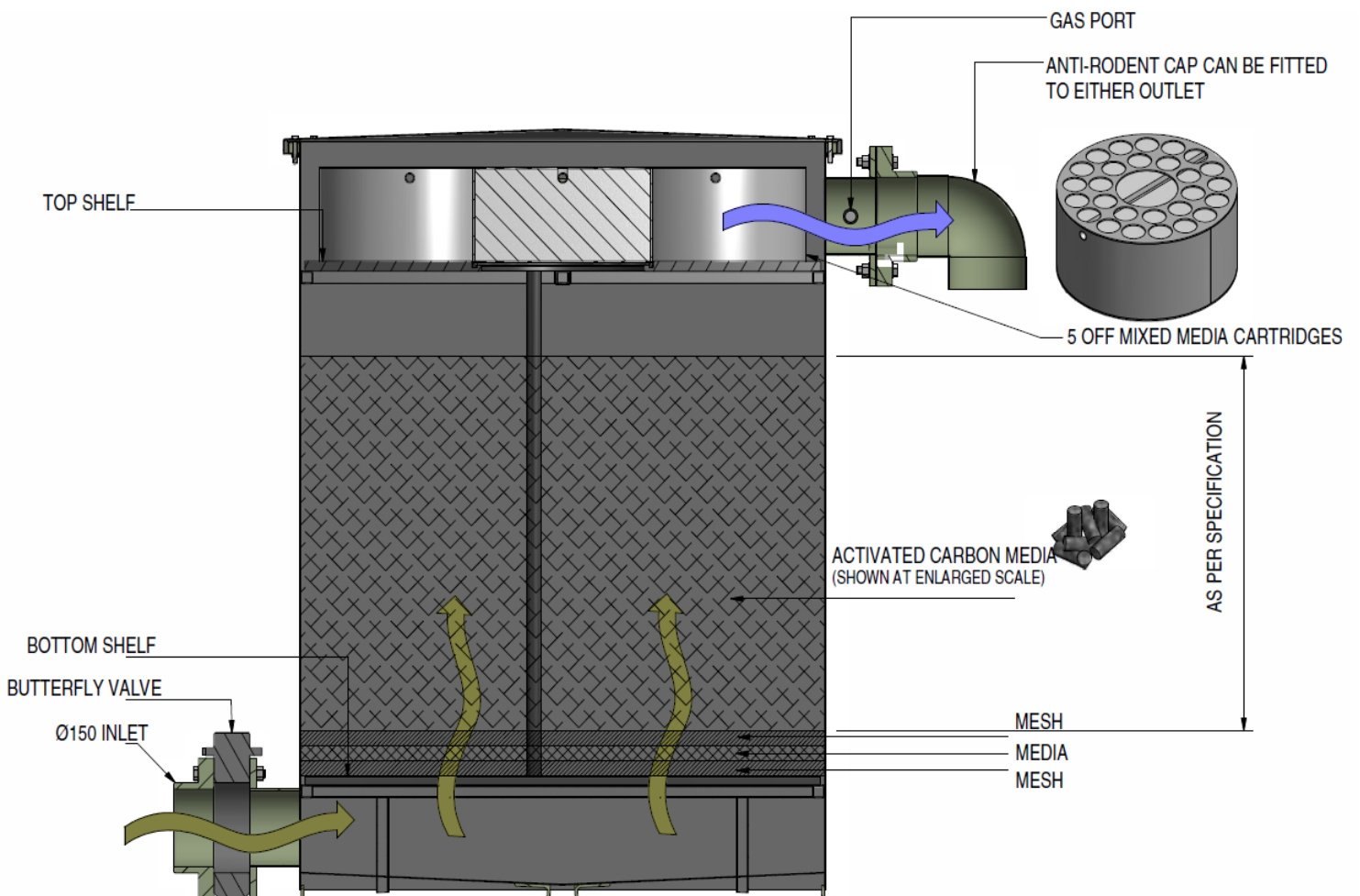
Identification Number: FIN\_029

Version Date: 03/03/2017

Responsibility: Cathi Southern

ENSURE PERSON IN CHARGE IS NOTIFIED IF ANY OF THE FOLLOWING IS REQUIRED

1. REPAIR /OVERHAUL
2. HIGH SULPHIDE LEVELS
3. ACCIDENTAL DAMAGE/VANDALISM



Approved by:	Noel Southern	Identification Number:	FIN_029
Version:	4.1	Version Date:	03/03/2017
Status	Current	Responsibility:	Cathi Southern