

## ZC1500 Odour Filter Installation Instructions

### Safety Advice:

#### **Keep out of reach of children**

Ensure adequate ventilation when removing filter from pack and installing.

Do not puncture the container or otherwise interfere with the product as this will reduce its effectiveness or produce harmful vapours.

**First Aid Information:** Poison Information Centre in each State capital city can provide additional assistance for

**Scheduled Poisons: Phone (Australia 13 1126)**

**Ingestion:** Rinse mouth with water. Do **NOT** induce vomiting. Seek medical assistance.

**Eyes & Skin:** Be careful to avoid contact with contents, or fumes from the filter as they may cause irritation to eyes, skin or breathing passages. If contact occurs wash affected area with plenty of water.

**Inhalation:** Remove victim from exposure. Remove contaminated clothing and loosen remaining clothing. Allow patient to assume most comfortable position and keep warm. Keep at rest until fully recovered.

**Seek medical advice if symptoms persist.**

-----  
**OVERVIEW:** - Designed to treat wastewater odour emissions.

This filter is a three stage process:

1. Emissions enter the inlet compartment at the bottom via a 150mm valve inlet pipe.
  2. Initial treatment occurs in the bottom media compartment
  3. The second stage is the filtering through an impregnated activated carbon media
  4. The third stage than flows through the 5 x 375 media cartridges this completes the filtering process.
- The unit is fabricated from stainless steel and is powder coated "mist green" on the outside.  
The interior is sprayed with Rhinochem 2170 for corrosion protection. SDS available on request

### **INSTALLATION:**

1. Confirm position and site layout with local authority.
2. The unit needs to be placed on a solid, level base of minimum size 1500 x 1500mm
3. Emission pipe to be joined (ensure airtight seal) to the 150mm inlet at the bottom of the cabinet, ensuring pipe work has a slight back fall to pump station to avoid condensation build up.
4. Fit anti rodent cap (supplied) to top outlet of filter
5. Remove the lid of the filter, add McBerns Media Mix supplied and level off. (12 x 15kgs bags)
6. Place supplied mesh over the McBerns media
7. Add Activated Carbon and level off (16 x 25kg bags activated carbon)
8. Ensure there is adequate ventilation and appropriate PPE is worn
9. Wipe the top shelf with a damp cloth where the media cartridges are seated to remove any dust or grit which will prevent achieving a good seal around the base of the media cartridges.
10. Apply a thin bead of hydroseal (included in the cartridge box) to the black rubber seal
11. Remove the cartridge from the protective plastic bag
12. Install cartridge "**THIS WAY UP** ↑ "into Filter Housing, as per instructions on cartridge, rotate cartridge slightly to seat base to the rubber ring
13. Fit and secure top cover using bolts, nuts and washers supplied
14. Install drain control valves and check these weekly initially until filter stabilizes- refer maintenance instructions.
15. Run Filter and check for leaks with a soapy water solution.
16. Set Red Valve to required Flow Rate

Approved by: *Noel Southern*

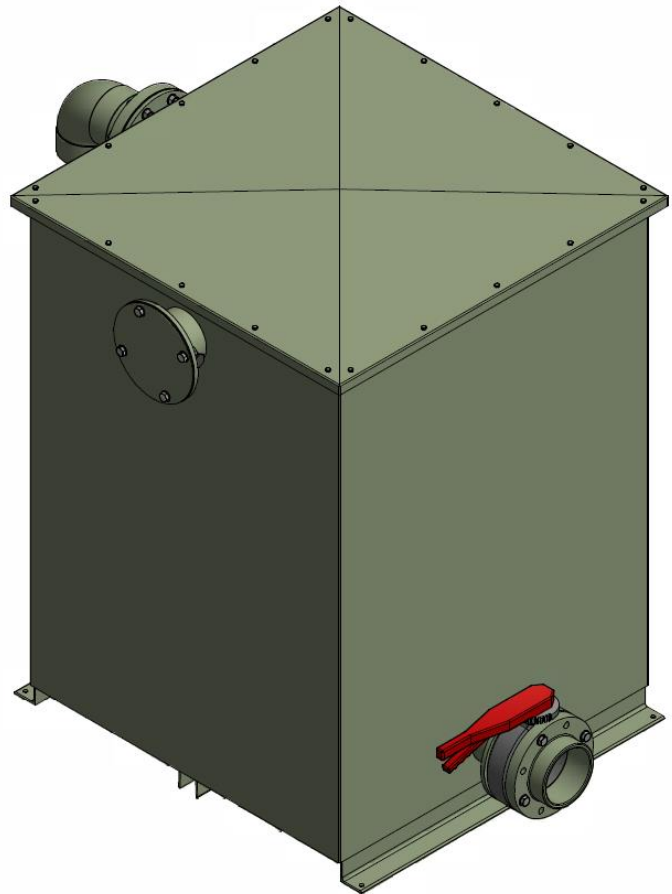
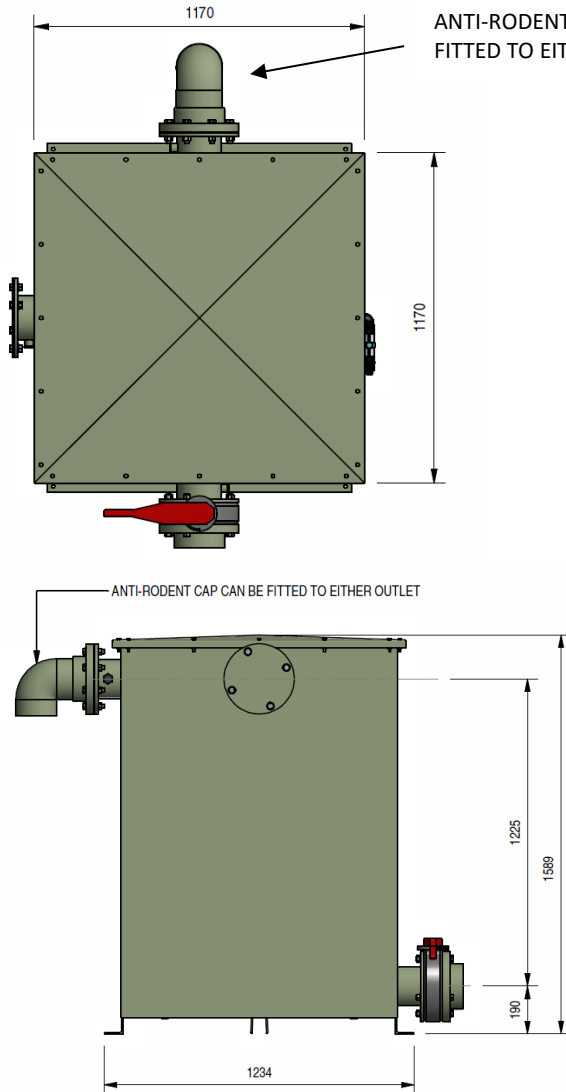
Version: *4.1*

Status: *Current*

Identification Number: *FIN\_033*

Version Date: *03/03/2017*

Responsibility: *Cathi Southern*



**NOTE:** CONFIRM POSITION OF INLET AND OUTLET FLANGES AS THESE CAN BE POSITIONED TO SUIT SITE REQUIREMENTS

## MAINTENANCE:

The McBerns ZC1500 Odour Filter requires very little maintenance.

When filter ceases to be effective replacement media cartridges are available.

### WE SUGGEST:

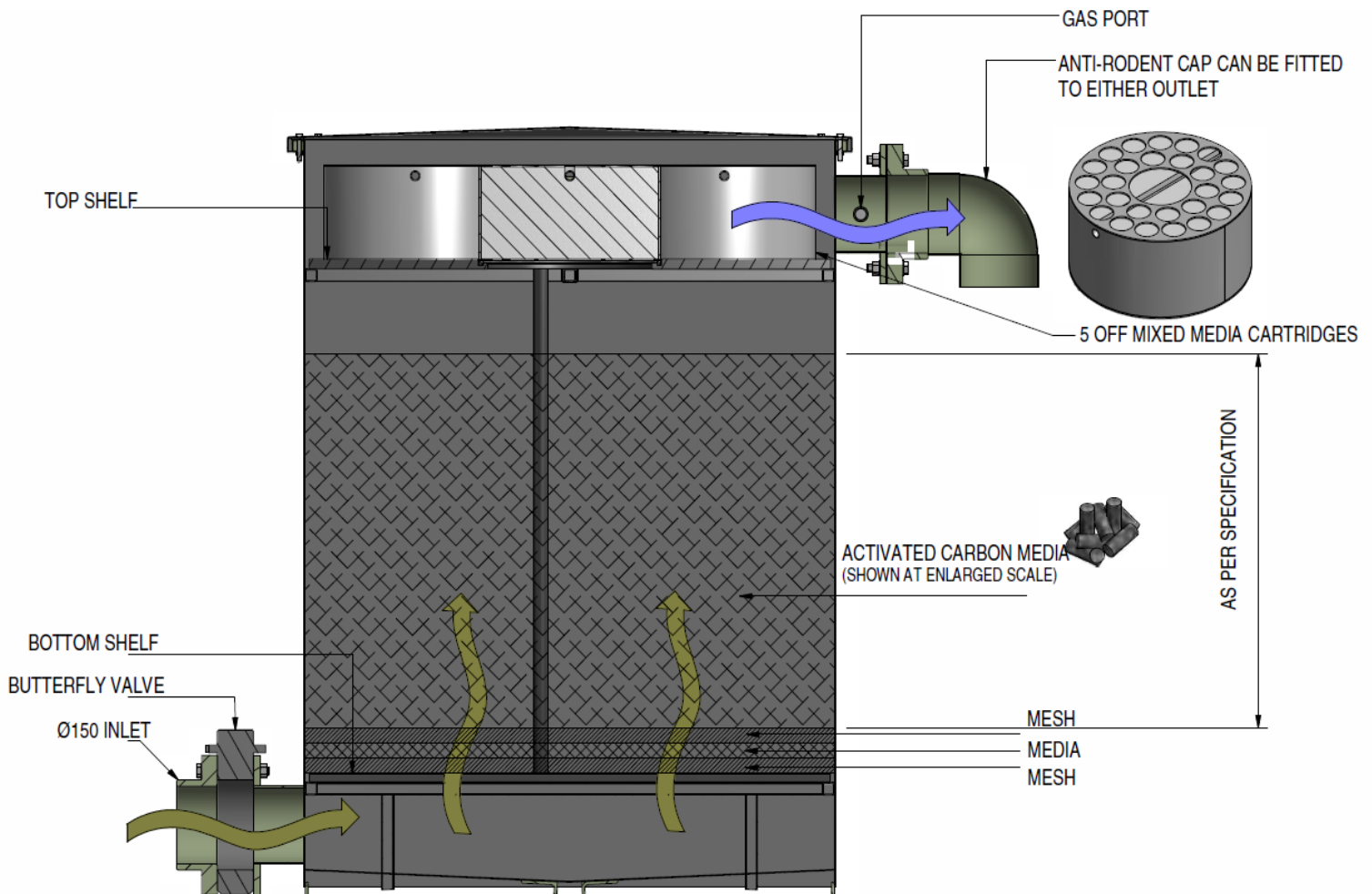
1. It is not necessary to remove the top cover of the filter when performing basic maintenance
2. Appropriate PPE must be worn
3. Wipe down the outside of the unit every 3 months with a mild wash and wax solution this will maintain the paint work of the filter.
4. A check needs to be made of all the seals, ensuring that there is no splitting or cracking, if any deterioration occurs notify Person In Charge.
5. Using an odour measuring device check for Sulfide readings every 3 month, if levels are high contact Person In Charge.
6. Ensure all Fittings & Fastenings are secure
7. After initial installation open all drain valves on a weekly basis to determine the level of condensation, this may not require continuous weekly inspections, as this is dependent on site specifics. We recommend that once the odour unit is established 3 monthly checks should be carried out on the drain valves.
8. **When filter ceases to be effective replacement media cartridges are available.**

Approved by: *Noel Southern*  
Version: *4.1*  
Status: *Current*

Identification Number: *FIN\_033*  
Version Date: *03/03/2017*  
Responsibility: *Cathi Southern*

ENSURE PERSON IN CHARGE IS NOTIFIED IF ANY OF THE FOLLOWING IS REQUIRED

1. REPAIR /OVERHAUL
2. HIGH SULPHIDE LEVELS
3. ACCIDENTAL DAMAGE/VANDALISM



Approved by:	Noel Southern	Identification Number:	FIN_033
Version:	4.1	Version Date:	03/03/2017
Status	Current	Responsibility:	Cathi Southern