

GROUND MOUNT ODOUR FILTERS

Ground Mount Odour Filters improve on site safety, maintenance and expenditure as all servicing is carried out at ground level - there is no longer a need to work from heights, cranes or cherry pickers.

The Ground Mount Filters use our combined media filtration method incorporating our specially formulated media cartridges, activated carbon and natural minerals to adsorb, absorb and treat the noxious gases in sewerage networks.

They are suitable for commercial scale odour problems. They are robust vandal proof and will last many years exposed to the harsh environment.

Increasingly the ground mounted filters are being used to replace old corroded vent poles, saving on all future maintenance costs.

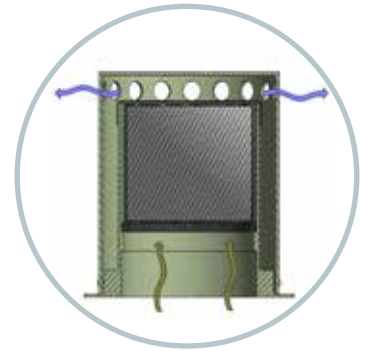
WHY CHOOSE A GROUND MOUNT FILTER?

- A PREFERRED REPLACEMENT FOR OLD CORRODED VENT POLES
- EASY INSTALLATION AND SAFE SERVICING AT GROUND LEVEL
- SUITABILITY FOR COMMERCIAL SCALE ODOUR PROBLEMS AND WILL LAST MANY YEARS EXPOSED TO THE HARSH ELEMENTS
- NO MAINS POWER OR WATER REQUIRED
- FULLY RECHARGEABLE WITH OUR SPECIALLY FORMULATED MCBERNS MIXED-MEDIA CARTRIDGES
- ROBUST, VANDAL PROOF AND COMPACT CONSTRUCTION



GM300 ODOUR FILTER

AIRFLOW: up to 15 L/s
DIMENSIONS: 440mm Dia Top X 70mm Dia Base X 460mm H
WEIGHT: 25 kg
REPLACEMENT MEDIA: 1 X F3000MC media cartridge



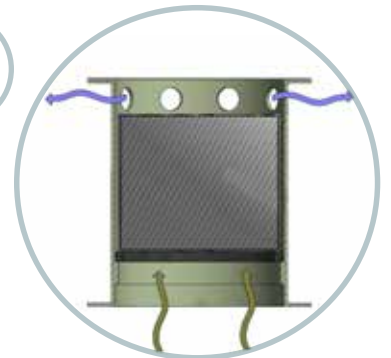
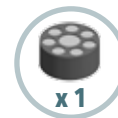
The GM300 is designed for passive operation and has a vandal-proof cover making it suitable for installation in public areas.

GM300 has been designed to be installed on receiving manholes and pump stations.



GM300NC ODOUR FILTER

AIRFLOW: up to 15 L/s
DIMENSIONS: 350mm Dia Top X 410mm Dia Base X 410mm H
WEIGHT: 25 kgs
REPLACEMENT MEDIA: 1 X F3000MC media cartridge



The GM300NC operates the same as the GM300 above.

It has been designed for passive operation, without the vandal proof cover which makes it suitable for installation in enclosed or fenced areas.

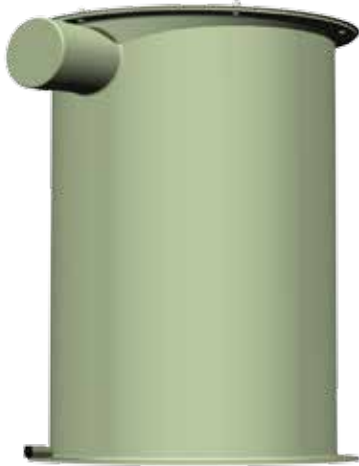


MCBERNS MEDIA CARTRIDGES

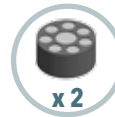
Our combined media cartridges make servicing of all the McBerns Odour Filter Range easy and safe; no mess, no fuss. The spent cartridges can be disposed into landfill.

GROUND MOUNT ODOUR FILTERS

GM375 & GM375T ODOUR FILTERS



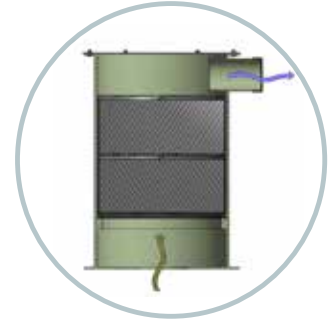
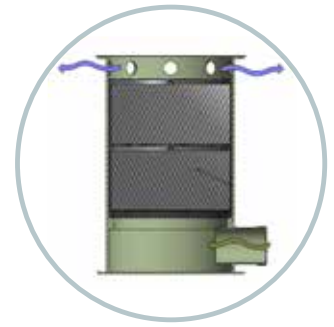
AIRFLOW: up to 30 L/s
DIMENSIONS: 460mm Dia Top X 470mm Dia Base X 660mmH
WEIGHT: 60 kgs
REPLACEMENT MEDIA: 2 X F375MC media cartridges



GM375 is a vented unit designed for passive operations, side-mount installation.

GM375T is a sealed unit designed to be attached over the vent with a vent pole connected to the top outlet.

GM375 is suited for air valves, receiving manholes and pump stations.



GM450 ODOUR FILTER **NEW**

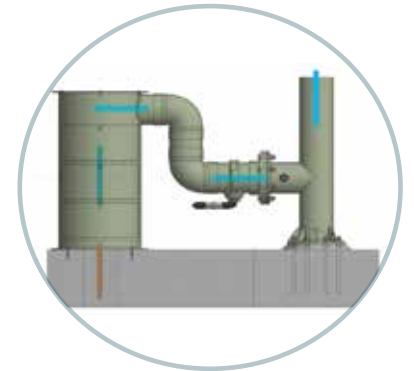
AIRFLOW: up to 45 L/s
DIMENSIONS: 460mm Dia Top X 460mm Dia Base X 840mmH
WEIGHT: 90 kgs
REPLACEMENT MEDIA: 3 X F375MC media cartridges



GM450 is a sealed unit designed to be attached over the outlet vent with a vent pole connected to the top outlet.

Suited for air valves, receiving manholes and pump stations.

A wind-assisted fan for vent pole is available.



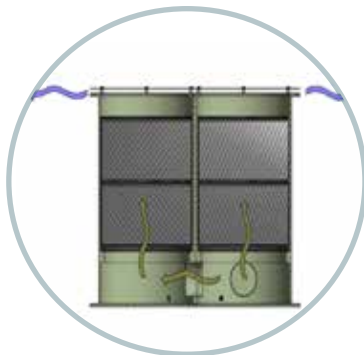
GM700 ODOUR FILTER

AIRFLOW: up to 60 L/s
DIMENSIONS: 870mmW X 470mmD X 680mmH
WEIGHT: 96.6 kgs
REPLACEMENT MEDIA: 4 X F375MC media cartridges



The GM700 is designed for passive operations, in situations with medium/high H₂S levels with high airflow.

Suited for air valves, receiving manholes and pump stations.



McBERNS INNOVATIVE SOLUTIONS ABN: 56 060 984 107

11 TECTONIC CRESCENT KUNDA PARK QLD 4556 OFFICE PHONE: 61 7 54451646 © McBERNS 2017 V7

www.mcberns.com

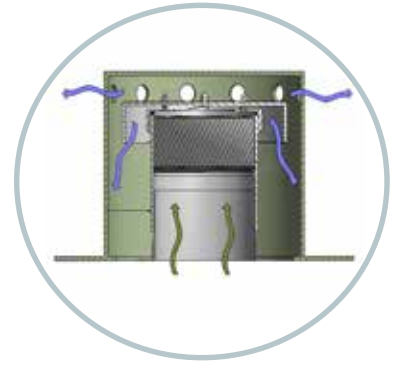
mail@mcberns.com

GROUND MOUNT ODOUR FILTER INSTALLATIONS

GM150 GROUND MOUNT



AIRFLOW: up to 5 L/s.
DIMENSIONS: 470mm Dia Base X 260mmH
WEIGHT: 4 kgs
REPLACEMENT MEDIA: 1 X F300MC media cartridge



The GM150 can be mounted at ground level where a vent pole is no longer appropriate and can be used in pump station buildings. A vandal-proof cover can be supplied for outside use.



GM300 ON CUT-OFF CONCRETE VENT POLE



GM700 - TWIN GROUND MOUNTED FILTER



GM375 - GROUND MOUNTED FILTER



GM300NC



GM300

McBERNS INNOVATIVE SOLUTIONS ABN: 56 060 984 107

11 TECTONIC CRESCENT KUNDA PARK QLD 4556 OFFICE PHONE: 61 7 54451646 © McBERNS 2018 V7